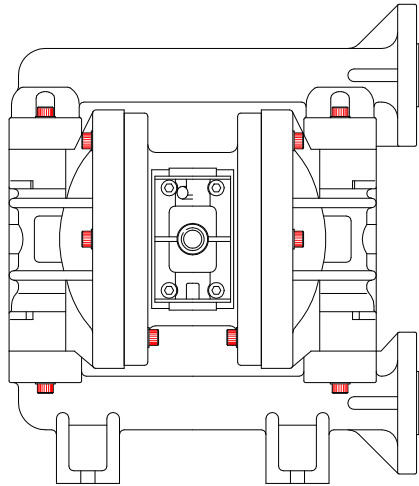


# MANUAL AND PARTS LIST

# B15

DIAPHRAGM PUMP  
MOULDED PLASTIC /  
STAINLESS STEEL SERIES II  
INC. LUBE FREE OPTION



DISTRIBUTOR

### IMPORTANT

This pump should be used in accordance with the requirements of the Health and Safety at Work Act 1974. All business conducted subject to Blagdon Pump. Terms and Conditions of Sale, available on request

## BLAGDON PUMP

A Unit of IDEX Corporation

LAMBERT ROAD, ARMSTRONG, WASHINGTON,  
TYNE & WEAR NE37 1QP  
ENGLAND.  
TEL. : (0191) 4177475 FAX. : (0191) 4175435  
Web-Site : www.blagdonpump.com  
E-Mail : sales@blagdonpump.com

HG-CF-958 Rev K, 16.10.08

## MATERIAL SPECIFICATIONS

TYPICAL CODE = B15 - PW - BB - TTP

MODEL - B15

WETTED COMPONENTS  
P : POLYPROPYLENE  
K : PVDF (KYNAR)

NON-WETTED COMPONENTS  
W : ST. STEEL/EPOXY PAINTED

VALVE TYPE  
B : BALL VALVE

SUCTION ORIENTATION  
B : BOTTOM

### VALVE SEATS

B : BUNA-N      P : POLYPROPYLENE  
N : NEOPRENE    D : DELRIN  
E : EPDM  
V : VITON

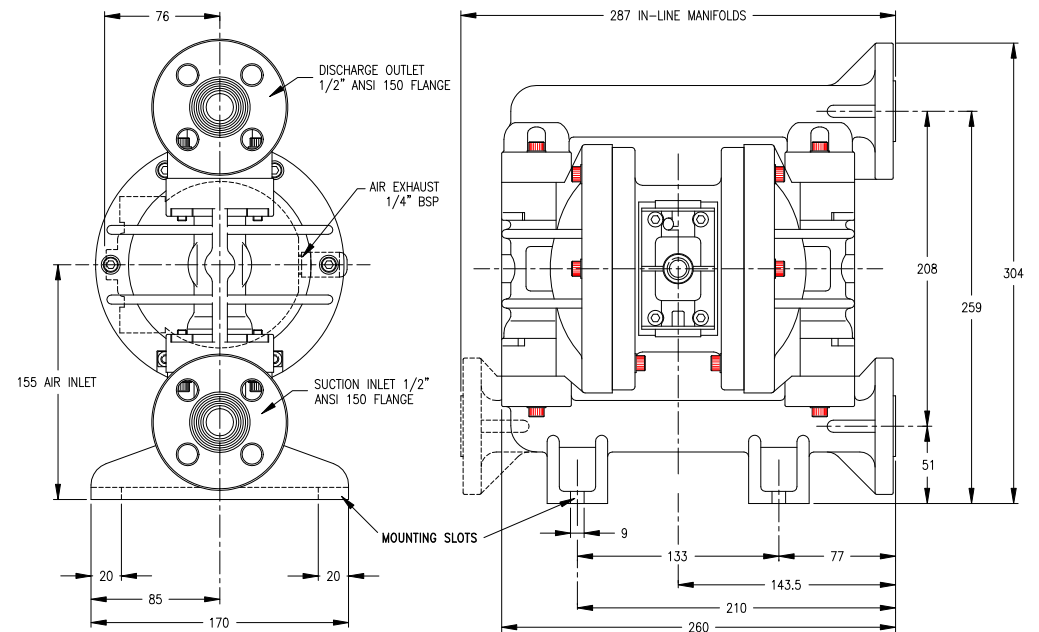
### VALVE BALLS

B : BUNA-N      T : PTFE  
N : NEOPRENE    D : DELRIN  
E : EPDM  
V : VITON

### DIAPHRAGMS

B : BUNA-N      P : POLYURETHANE  
N : NEOPRENE    E : EPDM  
T : PTFE          V : VITON  
H : POLYESTER    R : SANTOPRENE®  
O : ONE-PIECE PTFE

## DIMENSIONS



## TECHNICAL DATA

Max. Working Pressure	:8.0 bar (116 psi)	Air Inlet	:1/4" BSP(F)
Max. Solid Particle Size	:2mm	Fluid Inlet/Outlet	:1/2" ANSI 150 FLANGE
Temperature Limits	:Determined by Elastomers	Pump Weight	:7.5 Kg

## PARTS LIST

REF No.	PART NUMBER	DESCRIPTION	QTY
1	SEE TABLE	SUCTION MANIFOLD	1
2	SEE TABLE	O-RING (VALVE SEAT) ◆	4
3	SEE TABLE	VALVE SEAT ◆	4
4	SEE TABLE	VALVE BALL ◆	4
5	SEE TABLE	OUTER COVER	2
6	SEE TABLE	FRONTPLATE ASSEMBLY	2
7	SEE TABLE	DIAPHRAGM ◆	2
8	SEE TABLE	DISCHARGE MANIFOLD	1
9	1H114	BACKPLATE	2
10	15-200	CENTRE SECTION	1
11	D250	SOCKET CAP SCREW M6 x 12	4
12	C174	WASHER M6	4
13	H125	CIRCLIP	2
14	-		
15	G189	O-RING □	4
16	15-182	DIAPHRAGM SHAFT BUSH	2
17	15-295	DIA. SHAFT SEAL (SEE TABLE FOR LUBE FREE OPTION) □	4
18	SA10036	DIAPHRAGM SHAFT ASSEMBLY	1
19	D053	SOCKET CAP SCREW M6 x 45	8
20	C007	WASHER M6	20
21	D266	SOCKET CAP SCREW M6 x 35	12
22	06-034	SILENCER	1
23	1H020	CENTRE SECTION GASKET □	1
24	15-202	VALVE BLOCK PLUG ●	2
25	G020	O-RING ( V.B. PLUG) ● □	2
26	15-201	VALVE BLOCK ●	1
27	1H009	VALVE CARRIER ●	1
28	1A025	SLIDE VALVE	1
29	D209	COUNTERSUNK SCREW M4 x 12	4
30	15-001	SLIDE VALVE PLATE	1
31	B272	SQUARE NUT M6	12
32	15-219	BACK-UP DIAPHRAGM ◆	2
33	15-033	PTFE DIAPHRAGM ◆	2

## PARTS LIST - cont.

ELASTOMER TABLE				
REF. No.	2	3	4	7
DESCRIPTION	O-RING	VALVE SEAT	VALVE BALL	DIAPHRAGM
MATERIAL				
BUNA-N	G251	15-002	15-017	1H011
NEOPRENE	G437	15-003	15-014	1H049
EPDM	G394	15-004	15-015	1H206
VITON	G395	15-005	15-016	1H051
PTFE	G429	-	1H017	REF. 32 & 33
ONE-PIECE PTFE	-	-	-	15-195
POLYESTER	-	-	-	1H022
POLYURATHANE	-	-	-	1H050
POLYPROPYLENE	-	15-025	-	-
DELRIN	-	15-054	1H072	-
SANTOPRENE®	-	-	-	15-219

### WETTED COMPONENTS

REF No.	DESCRIPTION	POLYPROPYLENE		PVDF		QTY
1	SUCTION MANIFOLD	15-024	15-059	15-063	15-075	1
5	OUTER COVER	15-022		15-061		2
6	FRONTPLATE	15-021		15-062		2
8	DISCHARGE MANIFOLD	15-023	15-058	15-064	15-076	1

1/2" BSP(T) THREADED OPTIONS

### LUBE FREE COMPONENTS

REF No.	DESCRIPTION	PTFE	QTY
17	O-RING (CENTRE SECTION)	15-018	4

◆ - These items are available in a recommended spares kit. Please refer to your local stockist / distributor for details.

□ - These items are available in a recommended spares kit - ASK15SS - Air side Kit. Lube Free Air Side Kit - ASK15SS-LF

● - These items are supplied as Sub-Assy. SA10435

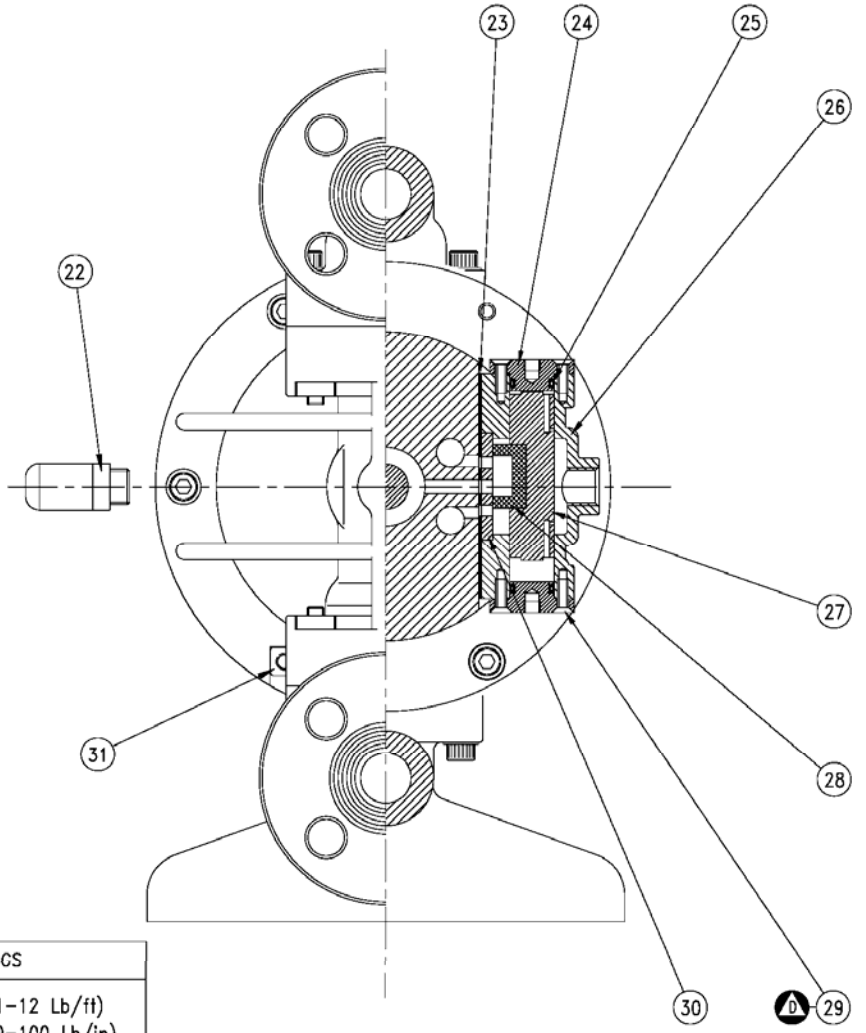
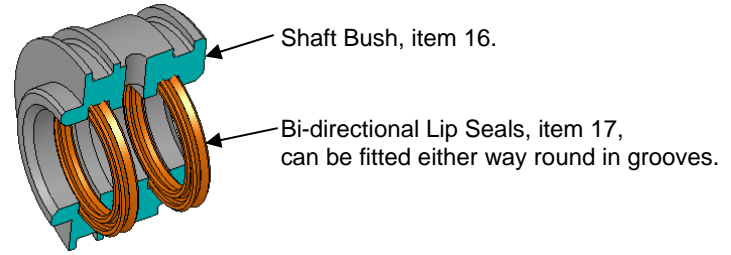
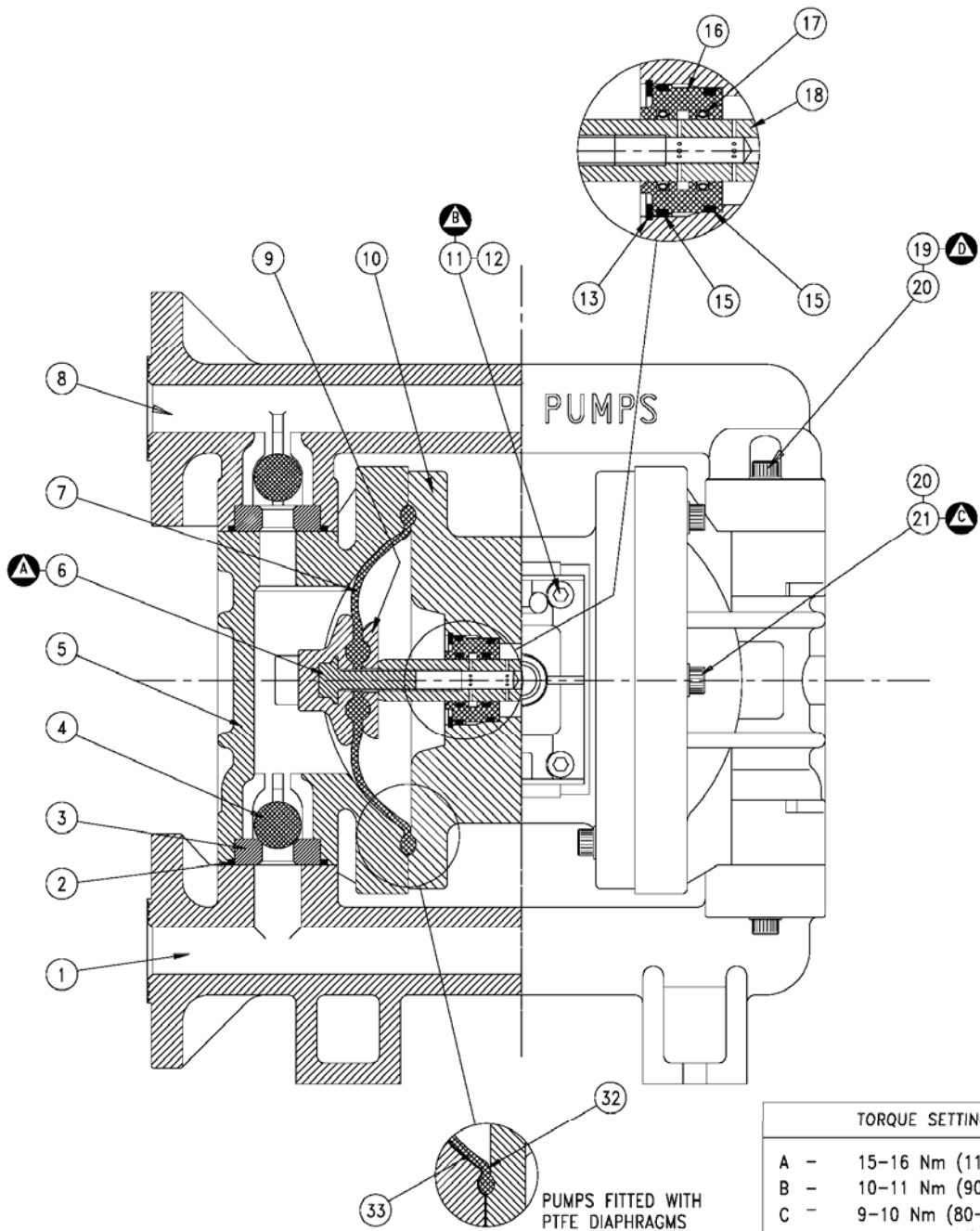
NOTE! When using rubber valve seats (3), item 2 o-ring is not required.

Santoprene is a registered tradename of Monsanto Corp.

### NOTES

\_\_\_\_\_

\_\_\_\_\_



TORQUE SETTINGS	
A -	15-16 Nm (11-12 Lb/ft)
B -	10-11 Nm (90-100 Lb/in)
C -	9-10 Nm (80-90 Lb/in)
D -	3.4-4.5 Nm (2.3-3.3 Lb/ft)